

Engine	Cummins QSB6.7
Rated Power	164 kW (220 hp) @ 2,200 rpm
Net Power	147 kW (197 hp) @ 2,200 rpm
Blade Width	3,960 mm
Maximum Speed	40.5 km/h
Draw Bar Pull	86 kN
Operating Weight	16,200 kg

418

MOTOR GRADER



TOUGH WORLD. TOUGH EQUIPMENT.

418 SPECIFICATIONS >>>

ENGINE

Emission Regulation	Tier 3 / Stage IIIA
Make	Cummins
Model	QSB6.7
Rated Power	164 kW (220 hp) @ 2,200 rpm
Net Power	147 kW (197 hp) @ 2,200 rpm
Peak Torque	949 N • m @ 1,500 rpm
Torque Rise %	33%
Number of Cylinders	6
Aspiration	turbo air-to-air aftercooled

TRANSMISSION

Transmission Type	power shift
Transmission Configuration	6f / 3r
Torque Converter	three – member single turbine
Maximum Travel Speed, fwd	40.5 km/h
Maximum Travel Speed, rev	24.9 km/h
Number of Speeds, fwd	6
Number of Speeds, rev	3

AXLES

Differential Type	limited slip
Final Drive Type	chain drive
Axle Oscillation	15°
Front Axle Type	all welded steel frame
Front Axle, Wheel Lean Angle	left / right 17°

STEERING

Steering Configuration	load sensor steering gear
Steering Relief Pressure	17 MPa
Minimum Turning Radius	7,800 mm
Steering Angle	±45°
Frame Articulation Angle	±20°

BRAKES

Service Brake Type	dry drum
Service Brake Location	rear axle

TIRES

Tire Size	14.00 - 24 - 16
-----------	-----------------

HYDRAULIC SYSTEM

Main Pump Type	variable pump
Main Relief Pressure	21 MPa
Pilot Pump Flow	151.8 L/min

WORKING CAPACITIES

Maximum Draw Pull	86 kN
Cutting Pressure	7,800 kg

TANDEM DRIVE PERFORMANCE

Height	600 mm
Width	210 mm
Thickness, inner wall / outer wall	20 mm / 20 mm
Center Distance	1,538 mm
Oscillating Angle	±15

MOLDBOARD PERFORMANCE

Bank Cut Angle	40~70°
Moldboard Lift Above Ground	450 mm
Moldboard Side Shift, right / left	725 / 675 mm
Maximum Sloping Angle	90°
Cutting Depth	555 mm
Circle Rotation	360°
Circle Diameter	1,455 mm
Circle Thickness	140 mm

DIMENSIONS

Wheelbase	6,230 mm
Overall Length	8,971 mm
Overall Height with Cab	3,438mm
Clearance under Front Axle	645 mm
Moldboard Standard Length	3,960 mm
Moldboard Standard Thickness	19 mm
Moldboard Standard Height	610 mm
Moldboard Standard Height	610 mm

OPERATING WEIGHTS

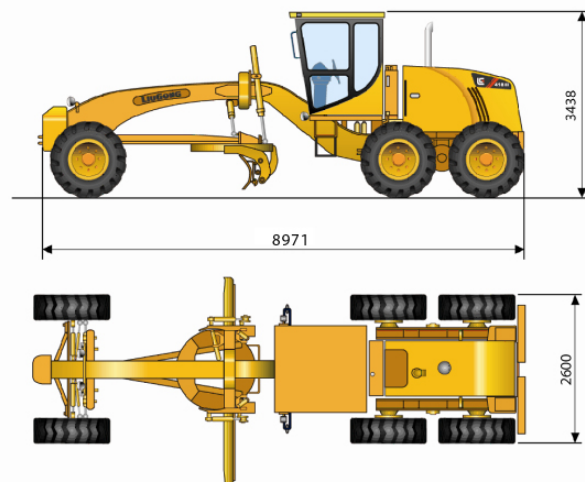
Operating Weight	16,200 kg
On Front Wheels	4,600 kg
On Rear Wheels	11,600 kg

SERVICE CAPACITIES

Fuel Tank	230 L
Engine Oil	22 L
Cooling System	45 L
Hydraulic Reservoir	186 L
Transmission And Torque Converter	45 L
Tandems, Each	28 L

OPTIONAL EQUIPMENT

Rear Ripper
Front Dozer
Automatic Leveling System
Rotary Beacon



Unit: mm

Guangxi Liugong Machinery Co., Ltd.

No. 1 Liutai Road, Liuzhou, Guangxi 545007, PR China
 T: +86 772 3886124 E: overseas@liugong.com
 www.liugong.com

Specifications and designs are subject to change without notice. Machines shown may include optional equipment.

05/2014 Designed by LiuGong