



# 385A Skid Steer Loader



|                         |                               |
|-------------------------|-------------------------------|
| <b>Engine</b>           | Yanmar                        |
| <b>Gross Power</b>      | 61.6 kW (82.6 hp) @ 2,400 rpm |
| <b>Net Power</b>        | 57.3 kW (76.8 hp) @ 2,400 rpm |
| <b>Breakout Force</b>   | 25 kN                         |
| <b>Rated Load</b>       | 1,045 kg                      |
| <b>Bucket Capacity</b>  | 0.5 m <sup>3</sup>            |
| <b>Operating Weight</b> | 3,500 kg                      |

# 385A Skid Steer Loader



## ENGINE

|                     |                               |
|---------------------|-------------------------------|
| Emission Regulation | Tier 3 / Stage IIIA           |
| Make & Model        | Yanmar                        |
| Gross Power         | 61.3 kW (82.6 hp) @ 2,400 rpm |
| Net Power           | 57.3 kW (76.8 hp) @ 2,400 rpm |
| Peak Torque         | 293 N · m @ 1,550 rpm         |
| Number of Cylinders | 4                             |
| Displacement        | 3.3 L                         |
| Cooling Type        | water                         |

## ELECTRICAL SYSTEM

|                   |         |
|-------------------|---------|
| System Voltage    | 12 V    |
| Alternator Output | 55 amps |

## CHAIN TANK

|                  |        |
|------------------|--------|
| Drive Chain Size | 100 HS |
|------------------|--------|

## TIRES

|            |           |
|------------|-----------|
| Ply Type   | pneumatic |
| Tire Size  | 12 - 16.5 |
| Ply Rating | 10        |

## HYDRAULIC SYSTEM

|                                |            |                    |
|--------------------------------|------------|--------------------|
| System Type                    | closed     |                    |
| Standard Flow                  | 84.3 L/min |                    |
| Optional High Flow             | 122 L/min  |                    |
| Traveling Hydrostatic Pressure | 32 MPa     |                    |
| Working Hydrostatic Pressure   | 20.7 MPa   |                    |
| Hydraulic Cycle Time, total    | 8.7 s      |                    |
| Raise                          | Dump       | Lower (float down) |
| 4.1 s                          | 2.4 s      | 2.2 s              |

## OPERATING WEIGHT

|                  |          |
|------------------|----------|
| Operating Weight | 3,500 kg |
|------------------|----------|

## PERFORMANCE

|   |          |
|---|----------|
| Static Tipping Load                     | 2,090 kg |
| Rated Load                              | 1,045 kg |
| Boom Breakout Force                     | 22 kN    |
| Bucket Breakout Force                   | 25.5 kN  |
| Dump Clearance at Full Height Discharge | 2,425 mm |
| Dump Reach at Full Height Discharge     | 560 mm   |
| Maximum Dump Angle at Full Height       | 39°      |
| Maximum Hinge Pin Height                | 3,105 mm |
| Bucket Rollback at Ground Level         | 30°      |
| Ground Clearance                        | 210 mm   |
| Angle of Departure                      | 27°      |
| Front Clearance Radius                  | 2,000 mm |

## SERVICE CAPACITIES

|                        |        |
|------------------------|--------|
| Fuel Tank              | 80 L   |
| Engine Oil             | 10.4 L |
| Cooling System         | 20 L   |
| Hydraulic Reservoir    | 56 L   |
| Hydraulic System Total | 60 L   |
| Chain Tanks, Each      | 12 L   |

## STANDARD EQUIPMENT

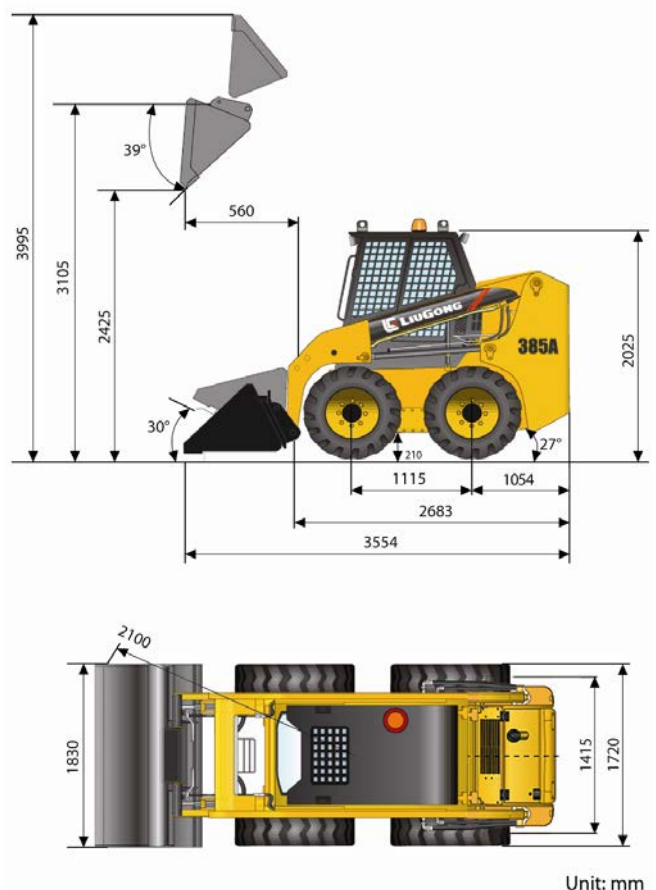
General Bucket - 0.5 m<sup>3</sup>  
Control Safety Interlock  
Boom Interlock  
Quick Coupler  
Enclosed ROPS / FOPS Cab with AC  
Auxiliary High Flow – 122 L/min

## OPTIONAL EQUIPMENT

Open ROPS / FOPS Cab  
Flow Standard – 84.3 L/min  
Solid Tire  
Tire Chains

## OPTIONAL ATTACHMENTS

|                                    |                   |
|------------------------------------|-------------------|
| 4 in 1 Bucket – 0.4 m <sup>3</sup> | Lift Boom         |
| Rocket Bucket – 0.4 m <sup>3</sup> | Auger             |
| Scrap Bucket – 350 mm to 650 mm    | Snow Blade        |
| Hydraulic Hammer                   | Pick - up Sweeper |
| Fork                               | Hydraulic Shear   |
| Trencher                           |                   |



## Guangxi Liugong Machinery Co., Ltd.

No. 1 Liutai Road, Liuzhou, Guangxi 545007, PR China  
T: +86 772 388 6124 E: overseas@liugong.com  
[www.liugong.com](http://www.liugong.com)

09/2012 Designed by LiuGong

Specifications and designs are subject to change without notice. Machines shown may include optional equipment.